

KR11-J Plus Series



Online UPS 1~3kVA

- » Low THDi: < 5%
- » AC/AC efficiency up to 94%
- » Output power factor up to 1.0
- » 208/220/230/240Vac settable

Green Power:

- Input power factor up to 0.996, Low THDi(< 5%), decrease the pollution to city power
- Compliance with RoHS standard, innocuous and environmental friendly
- Design in accordance to International EMC and Safety standard

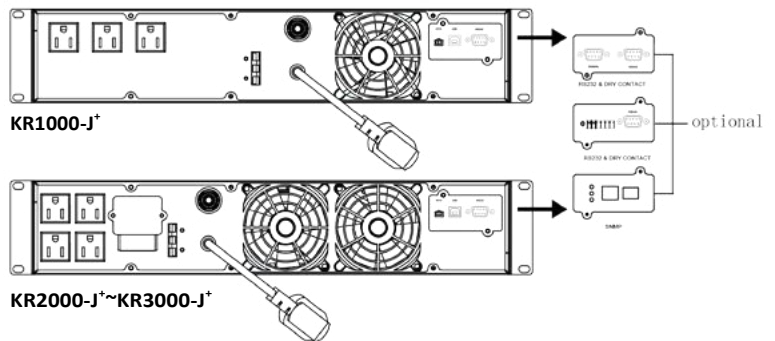
Save Your Money:

- AC/AC efficiency up to 94%, electric bill saved equals to one new UPS in 2 years
- Output power factor up to 1.0, load capability increases by 30% than common UPS
- Intelligent fan speed management, help to decrease operating cost

Excellent Flexibility and Availability:

- Output voltage 208/220/230/240Vac, 50/60Hz, ECO mode all can be settable on site
- Optional 8A charger, reduce battery recharging time
- The rear panel design is compatible with various special needs

Typical applications:



Available Socket:



Technical Specification:

MODEL	KR1000-J ⁺	KR1000L-J ⁺	KR2000-J ⁺	KR2000L-J ⁺	KR3000-J ⁺	KR3000L-J ⁺
Input						
Voltage (Vac)	120-295					
Frequency (Hz)	50/60±10% (50/60Hz auto-sensing)					
Power Factor	≥0.99					
THDi	<5%					
Output						
Capacity (VA)	1000		2000		3000	
AC/AC Efficiency	92%		93%		94%	
Power Factor	0.9 (1.0 optional)					
Voltage (Vac)	208/220/230/240±1% (settable on display panel)					
Frequency (Hz)	50/60±0.1 (battery mode)					
THDv	THD < 3% (linear load); THD < 5% (nonlinear load)					
Transfer Time	0					
Overload	101%~115% for 1 min, 116%~133% for 1 s, above 134% for 200ms					
Battery						
Voltage (Vdc)	24	36	48	72	72	96
BATT Type	2×9Ah12V	External	4×9Ah12V	External	6×9Ah12V	External
Charger Current (A) Max.	1	4	1	4	1	4
Other						
Communication Interface	RS232+USB+EPO (RS485, Dry contact and SNMP adapter are optional)					
Display	LCD					
Alarm	Low battery, abnormal AC input, UPS failure, etc.					
Protection	Low battery, overload, short-circuit and over temperature, etc.					
Noise (dB)	< 50				< 55	
Working Temperature	-5 ~ 40°C					
Relative Humidity	0 ~ 95%, No condensation					
Dimension (W×D×H) mm	438×420×2U		438×420×2U(UPS)+ 438×420×2U (Battery pack)	438×420×2U	438×420×2U(UPS)+ 438×420×2U (Battery pack)	438×420×2U
Weight (kg)	11.5	7	8+14	9.9	8.5+20	10

• Specification is subject to change without prior notice

Head Office:
Fideltronik Inigo Sp.z o.o.
Mickiewicza 114,
34-200 Sucha Beskidzka,
Poland.
Email: biuro@fideltronikinigo.pl

Trade Office:
Fideltronik Inigo Sp.z o.o.
Obrońców 25,
03-933 Warszawa,
Poland.
Phone: +48 22 871 43 36

