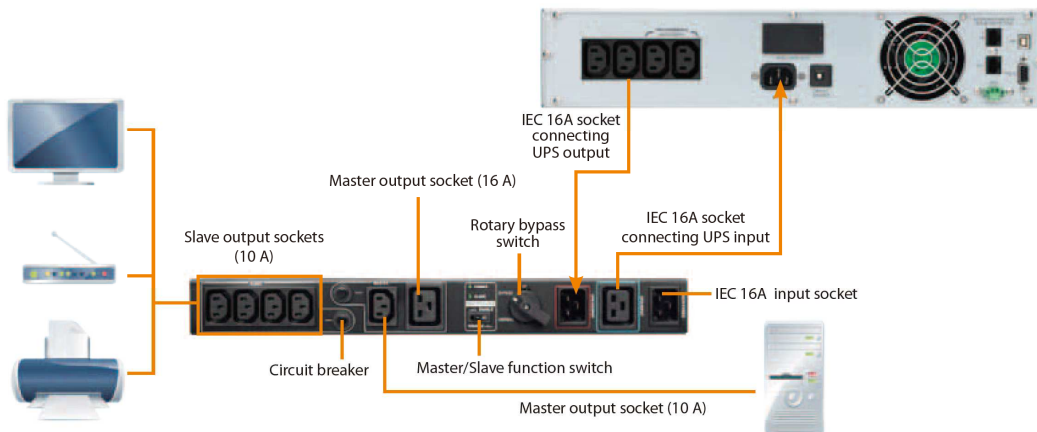


PDU & Maintenance Bypass Switch

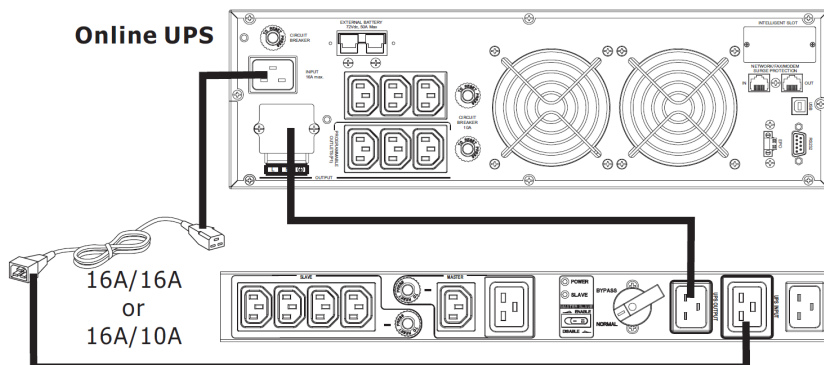


- 16A for 208/220/230/240 VAC, 20A for 110/115/120/127 VAC
- Provides continuous power to connected equipment during UPS maintenance
- Easy operation with simple rotary switch and indicators
- Master-slave function for energy saving
- Provides a large number of sockets for extended usage
- Provides rack and tower designs to fit into a diverse working environment
- Simple installation with plug-and-play socket type
- Suitable for all UPSs up to 3KVA



Connect UPS

Connect a power cord from UPS input to UPS input socket on the unit. Use one more power cord to connect UPS output to UPS output socket on the unit.



Connect Equipment

There are two types of output receptacles: Master, and Slave. To save power consumption, the unit is equipped with Master and Slave output receptacles. The Master output receptacle will sense if master device (computer) is on. If the master device is no longer drawing current, it will automatically shut down the power to the Slave output receptacles. Please refer to below charts for detailed equipment connection.