

PDU & Maintenance Bypass Switch



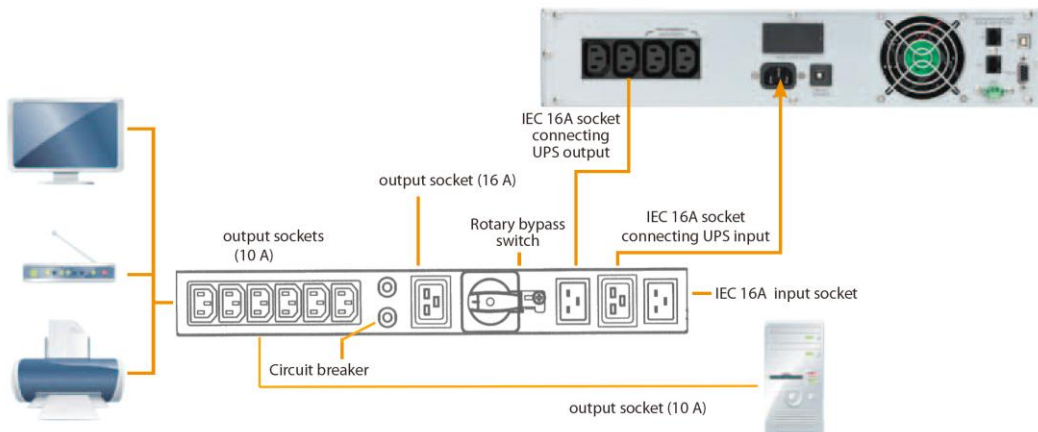
- 16A for 208/220/230/240 VAC, 20A for 110/115/120/127 VAC
- Provides continuous power to connected equipment during UPS maintenance
- Easy operation with simple rotary switch and indicators
- Master-slave function for energy saving
- Provides a large number of sockets for extended usage
- Provides rack and tower designs to fit into a diverse working environment
- Simple installation with plug-and-play socket type
- Suitable for all UPSs up to 3KVA



1x IEC C19 (16A) outlet
5x IEC C13 (10A) outlet



Bypass Switch



Connect UPS

Connect a power cord from UPS input to UPS input socket on the unit. Use one more power cord to connect UPS output to UPS output socket on the unit.

